



## 4.00"(101.60mm)Single Digit 7 Segment Display

### Features:

- \*High segment intensity
- \*Wide viewing angle
- \*Range of colours
- \*Black face White segment
- \*Rohs compliant

### Available option:

- \*Alternative face and segment colour
- \*Alternative font
- \*Cropped terminal pins
- \*Available emitting colour
- \*Low current version

### Electro/Optical Characteristics If=20mA Ta=25°C

Part Number Common Cathode	Part Number Common Anode	Emitting Colors	Peak Wavelength	Forward Voltage Vf		Luminous Intensity Iv	
				Typical	Max.	Min.	Typical
NFD-40011AS-11	NFD-40011BS-11	GaAlAs/GaAs Hi-Red	660	9.25	11.00	288.0	432.0
NFD-40011AE-11	NFD-40011BE-11	GaAsP/GaP Orange	635	10.50	12.50	252.0	360.0
NFD-40011AY-11	NFD-40011BY-11	GaAsP/GaP Yellow	590	10.50	12.50	252.0	360.0
NFD-40011AG-11	NFD-40011BG-11	GaP/GaP Green	570	11.00	12.50	252.0	396.0
NFD-40011AUB-11	NFD-40011BUB-11	InGaN/SiC Super Blue	470	17.50	20.00	540.0	900.0
NFD-40011AUW-11	NFD-40011BUW-11	InGaN/SiC White		16.50	20.00	5250.0	7920.0
Units			nm	V		mcd	

### Maximum Ratings Ta=25°C (Derate above 25 C)

Characteristic	Condition	Symbol	Hi-Red	Orange	Yellow	Green	Super Blue	White	Units
Pulse Forward Current	0.1 duty cycle 0.1ms Pulse width	I <sub>FP</sub>	150	150	150	150	100	100	mA
DC Forward Current		I <sub>F</sub>	25	30	30	30	30	30	mA
Reverse Current	V <sub>r</sub> =5V	I <sub>R</sub>	20	20	20	20	20	20	μA
Power Dissipature		P <sub>D</sub>	60*36	80*36	80*36	80*36	120*36	120*36	mW
Operating Temperature		T <sub>OPR</sub>	-40 to +80						°C
Storage Temperature		T <sub>TSG</sub>	-40 to +85						°C
Lead soldering temperature	1.60mm from body maximum 3 seconds		260						°C

Checked

Chen N.H.

Approved

Jason Chen

Date

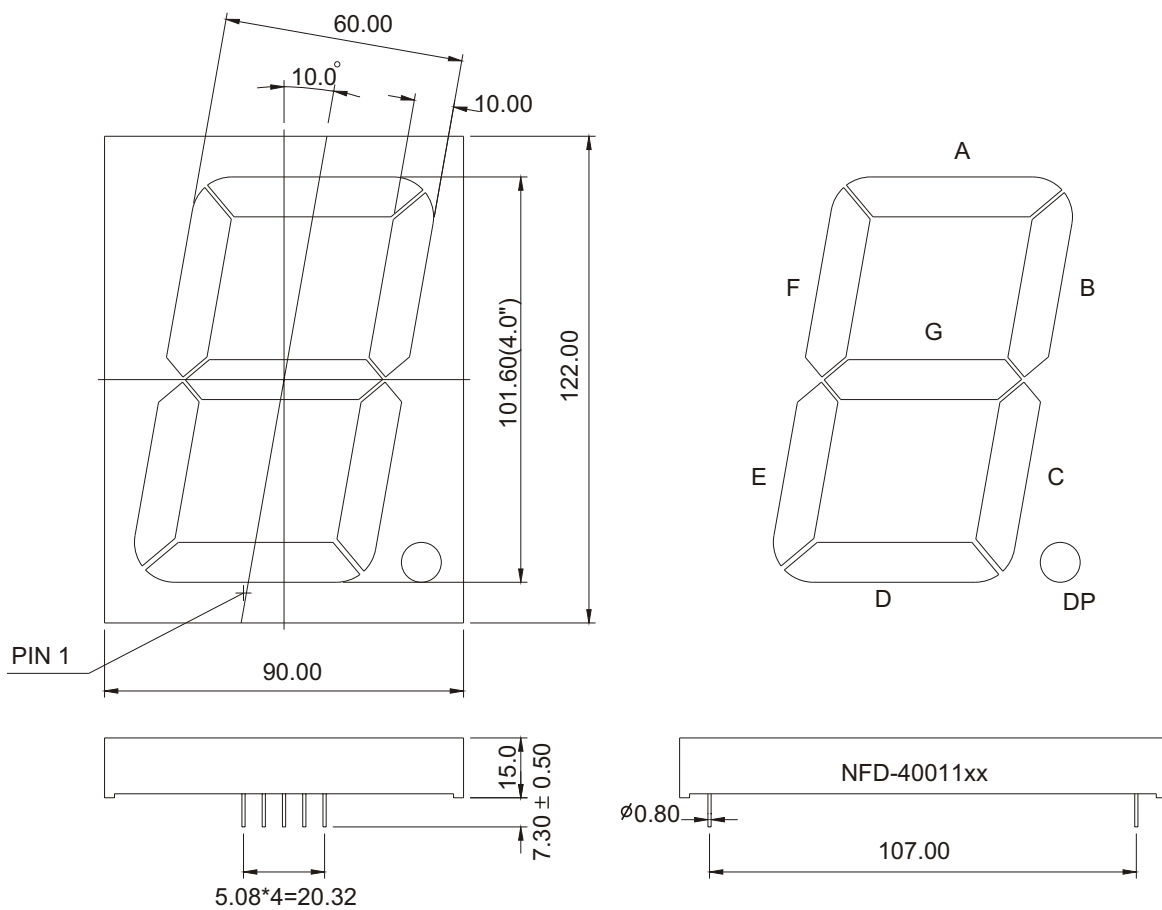
2006/05/24

PAGE 1 / 2



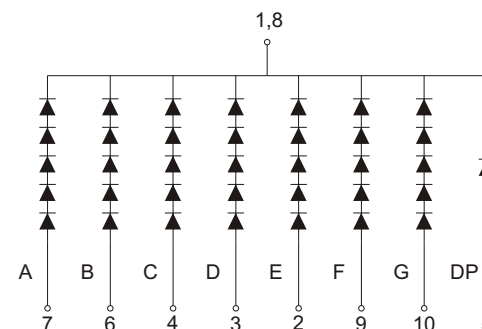
### 4.00"(101.60mm)Single Digit 7 Segment Display

#### PACKAGE DIMENSION

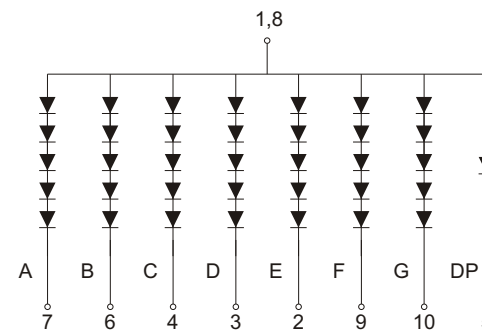


#### INTERNAL CIRCUIT DIAGRAM

Common Cathode  
NFD-40011Ax



Common Anode  
NFD-40011Bx



Tolerance  $\pm 0.25\text{mm}$  unless stated

Checked

Chen N.H.

Approved

Jason Chen

Date

2006/05/24

PAGE 2 / 2