



0.39"(9.90mm)Single Digit 7 Segment Display

**Features:**

- \*High segment intensity
- \*Wide viewing angle
- \*Range of colours
- \*Gray face White segment
- \*Rohs compliant

**Available option:**

- \*Alternative face and segment colour
- \*Alternative font
- \*Cropped terminal pins
- \*Available emitting colour
- \*Low current version

**Electro/Optical Characteristics If=20mA Ta=25°C**

Part Number Common Cathode	Part Number Common Anode	Emitting Colors	Peak Wavelength	Forward Voltage Vf		Luminous Intensity Iv	
				Typical	Max.	Min.	Typical
NFD-3911AS-21	NFD-3911BS-21	GaAlAs/GaAs Hi-Red	660	1.85	2.20	64.0	96.0
NFD-3911AG-21	NFD-3911BG-21	GaP/GaP Green	570	2.20	2.50	56.0	88.0
Units			nm	V		mcd	

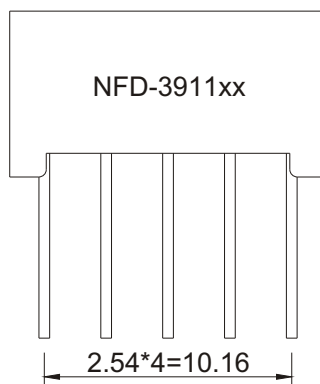
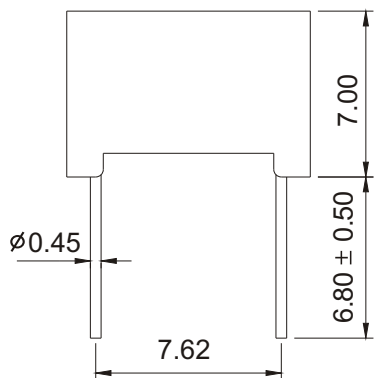
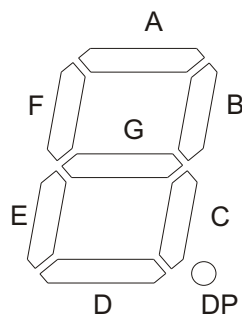
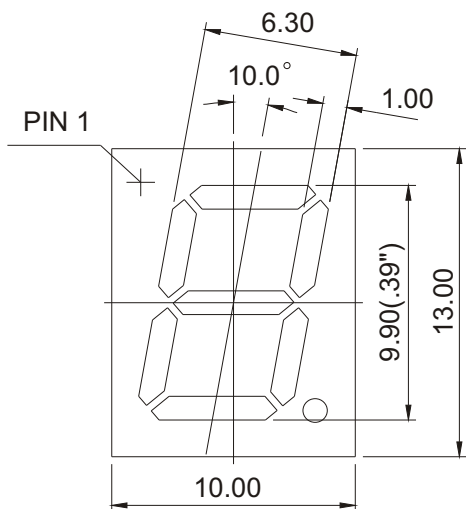
**Maximum Ratings Ta=25°C (Derate above 25°C)**

Characteristic	Condition	Symbol	Hi-Red	Green		Units
Pulse Forward Current	0.1 duty cycle 0.1ms Pulse width	I <sub>FP</sub>	150	150		mA
DC Forward Current		I <sub>F</sub>	25	30		mA
Reverse Current	V <sub>r</sub> =5V	I <sub>R</sub>	20	20		μA
Power Dissipature		P <sub>D</sub>	60*8	80*8		mW
Operating Temperature		T <sub>OPR</sub>	-40 to +80			°C
Storage Temperature		T <sub>TSG</sub>	-40 to +85			°C
Lead soldering temperature	1.60mm from body maximum 3 seconds		260			°C



# 0.39"(9.90mm)Single Digit 7 Segment Display

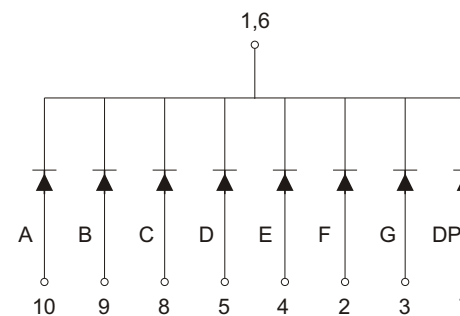
## PACKAGE DIMENSION



Tolerance  $\pm 0.25\text{mm}$  unless stated

## INTERNAL CIRCUIT DIAGRAM

### Common Cathode NFD-3911Ax



### Common Anode NFD-3911Bx

