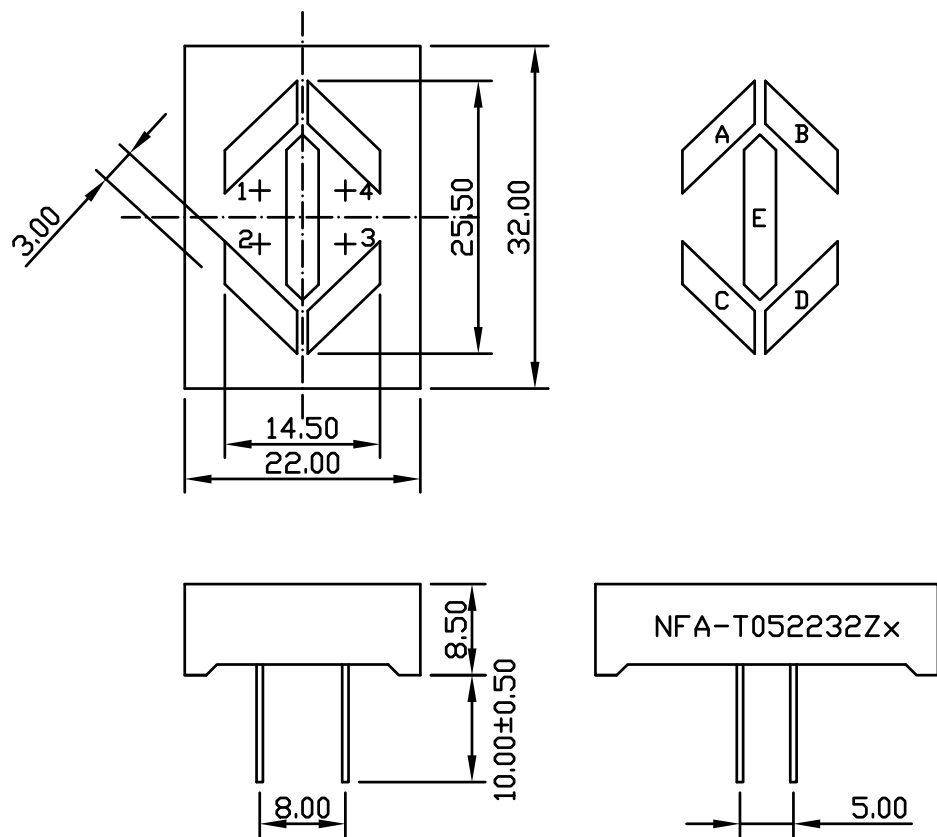




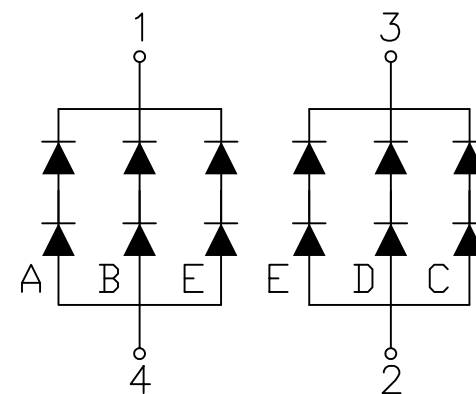
22.0mm X 32.0mm Special Design Arrow Led Displays

PACKAGE DIMENSION



INTERNAL CIRCUIT DIAGRAM

NFA-T052232Zx



Tolerance $\pm 0.25\text{mm}$ unless stated