



NFCL-S21AR2G1B1 Full Color Outdoor Lamp Cluster

Electro/Optical Characteristics If=20mA Ta=25°C

Part Number	Emitting Colors	Peak Wavelength	Forward Voltage Vf		Luminous Intensity Iv		Viewing Angle
			typical	max.	min.	typical	2 θ 1/2
NFCL-S21AR2G1B1	AlGaInP Ultra Orange	630	4.00	4.60		850.0*2	45
	InGaN/SiC Pure Green	525	3.30	3.50		1600.0	45
	InGaN/SiC Pure Blue	470	3.30	3.50		800.0	45
Units		nm	V		mcd		degree

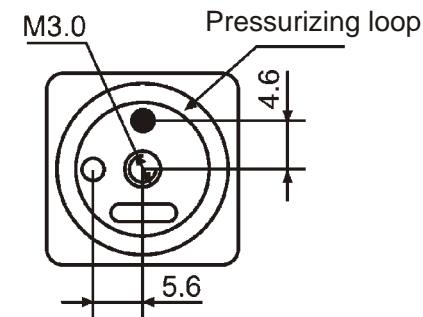
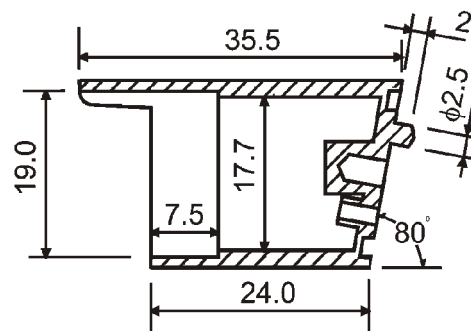
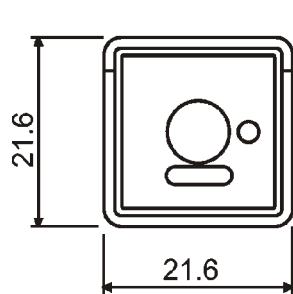
Maximum Ratings Ta=25°C (Derate above 25°C)

Characteristic	Condition	Symbol	Ultra Orange	Pure Green	Ultra Blue	Units
Pulse Forward Current	0.1 duty cycle 0.1ms Pulse width	I _{FP}	150	150	150	mA
DC Forward Current		I _F	30	30	30	mA
Reverse Current	V _r =5V	I _R	20	20	20	μA
Power Dissipature		P _D	130	110	120	mW
Operating Temperature		T _{OPR}	-40 to +80			°C
Storage Temperature		T _{TSG}	-40 to +85			°C
Lead soldering temperature	1.60mm from body maximum 3 seconds		260			°C

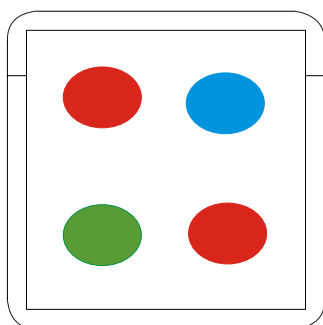





NFCL-S21AR2G1B1 Full Color Outdoor Lamp Cluster

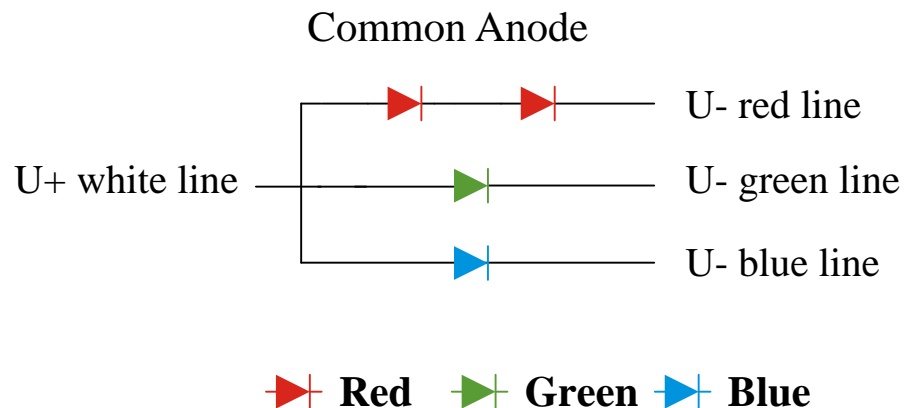
PACKAGE DIMENSION



INTERNAL CIRCUIT DIAGRAM



-  **Red**
-  **Green**
-  **Blue**



Tolerance $\pm 0.25\text{mm}$ unless stated

Checked

Chen N.H.

Approved

Jason Chen

Date

2005/10/25

PAGE 2/2