



NFCL-S21AUE2PG1 Bi-Color Outdoor Lamp Cluster

Electro/Optical Characteristics If=20mA Ta=25°C

| Part Number | Emitting Colors | Peak Wavelength | Forward Voltage Vf | | Luminous Intensity Iv | | Viewing Angle |
|-----------------|----------------------|-----------------|--------------------|------|-----------------------|---------|---------------|
| | | | typical | max. | min. | typical | 2 θ 1/2 |
| NFCL-S21AUE2PG1 | AlGaInP Ultra Orange | 630 | 4.00 | 4.60 | | 850.0*2 | 45 |
| | InGaN/SiC Pure Green | 525 | 3.30 | 3.50 | | 1600.0 | 45 |
| | | | | | | | |
| | | | | | | | |
| | | | | | | | |
| | | | | | | | |
| Units | | nm | V | | mcd | | degree |

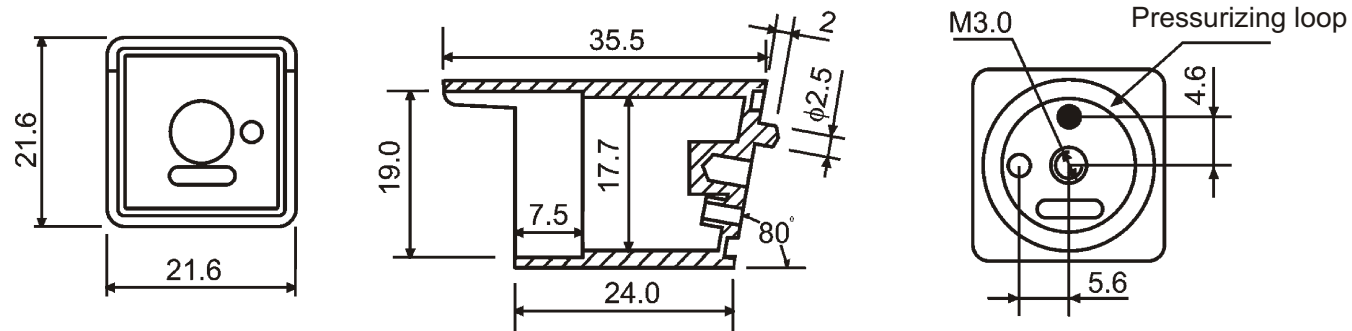
Maximum Ratings Ta=25°C (Derate above 25°C)

| Characteristic | Condition | Symbol | Ultra Orange | Pure Green | | Units |
|----------------------------|------------------------------------|------------------|--------------|------------|--|-------|
| Pulse Forward Current | 0.1 duty cycle 0.1ms Pulse width | I _{FP} | 150 | 100 | | mA |
| DC Forward Current | | I _F | 30 | 30 | | mA |
| Reverse Current | V _r =5V | I _R | 20 | 20 | | μA |
| Power Dissipature | | P _D | 130 | 110 | | mW |
| Operating Temperature | | T _{OPR} | -40 to +80 | | | °C |
| Storage Temperature | | T _{TSG} | -40 to +85 | | | °C |
| Lead soldering temperature | 1.60mm from body maximum 3 seconds | | 260 | | | °C |

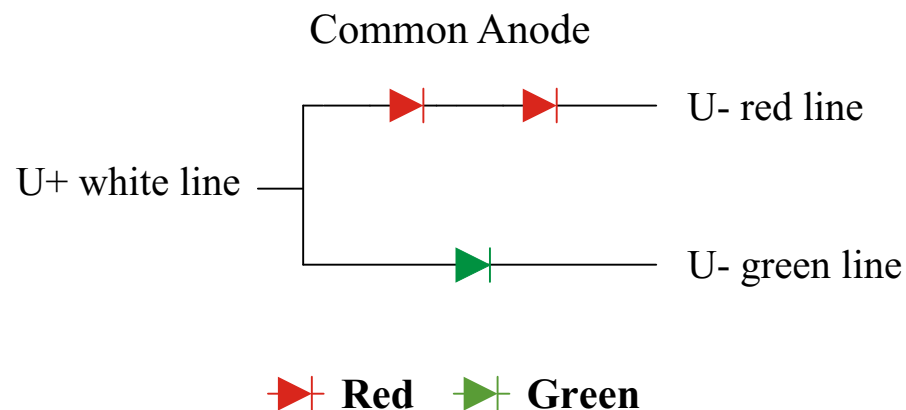
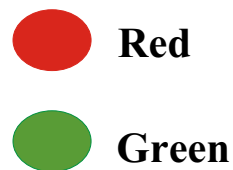
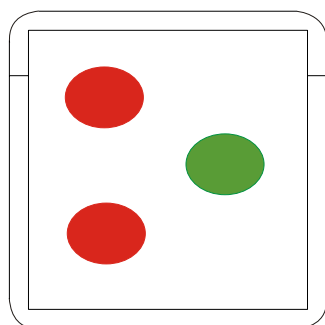


NFCL-S21AUE2PG1 Bi-Color Outdoor Lamp Cluster

PACKAGE DIMENSION



INTERNAL CIRCUIT DIAGRAM



Tolerance $\pm 0.25\text{mm}$ unless stated

Checked

Chen N.H.

Approved

Jason Chen

Date

2006/07/03

PAGE 2 / 2