



5.0mm Ellipse Type LED Lamps

PART NO: NFL-5063UEC-S

REV NO: 1.0

PAGE: 1/2

Features:

Ultra brightness.

Choice of various viewing angles.

IC compatible capability.

Water Clear

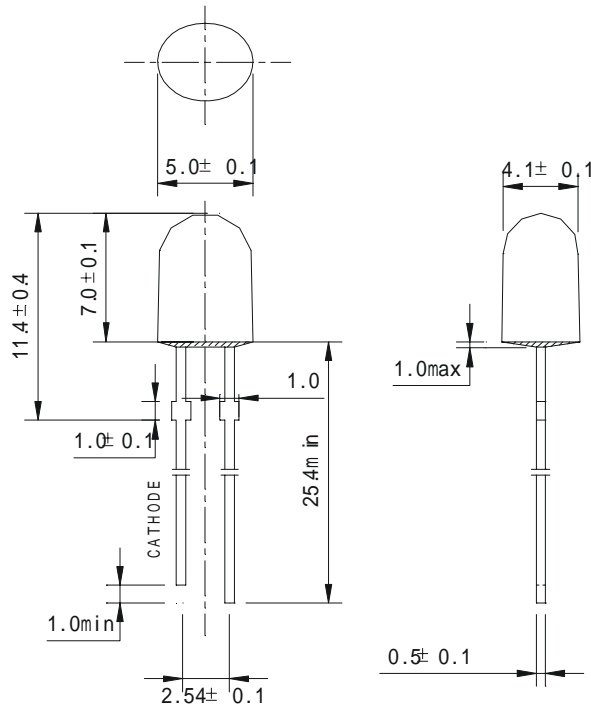
With Stand-off

RoHS Compliant

Descriptions:

The LED lamps are available with different colors , intensities , epoxy colors etc.

Package Dimensions:



NOTES:

1. All dimension are in millimeters(inch).
2. An epoxy meniscus may extend about 1.0mm down to the lead.
3. Tolerances unless dimension ± 0.25 mm.



5.0mm Ellipse Type LED Lamps

PART NO: NFL-5063UEC-S

REV NO: 1.0

PAGE: 2/2

Absolute Maximum Ratings at Ta=25

Parameter	Symbol	Rating	Unit
Forward Current	I_F	30	mA
Power Dissipation	P_d	65	mW
Reverse Voltage	V_R	5	V
Peak Forward Current (Duty 1/10 @1KHZ)	I_{PF}	150	mA
Operation Temperature	T_{OPR}	-40 to +80	
Storage Temperature	T_{STG}	-40 to +85	
Lead Soldering Temperature	T_{SOL}	Max.260 ± 5 for 3 sec Max. (1.6mm from the base of the epoxy bulb)	

Electronic Optical Characteristics at Ta=25

Items	Symbol	Min.	Typ.	Max.	Unit	Condition
Forward Voltage	V_F	-	2.00	2.50	V	$I_F=20mA$
Reverse Current	I_R	-	-	20	uA	$V_R=5V$
Peak Wavelength	λ_p	-	630	-	nm	$I_F=20mA$
Spectrum Line Half width		-	17	-	nm	$I_F=20mA$
Luminous Intensity	I_V	-	900	-	mcd	$I_F=20mA$
Viewing Angle	x-x/y-y	-	45/25	-	degree	$I_F=20mA$

Specifications for Bin grading

(unit: mcd $I_F=20mA$)

Bin Code	Min.	Max.	Bin Code	Min.	Max.

Specifications for Voltage

(unit: V $I_F=20mA$)

Rank					
Voltage					

Specifications for Dominant Wavelength

(unit: nm $I_F=20mA$)

Rank					
Dominant Wavelength					