

ULTRA BRIGHT LED LAMPS

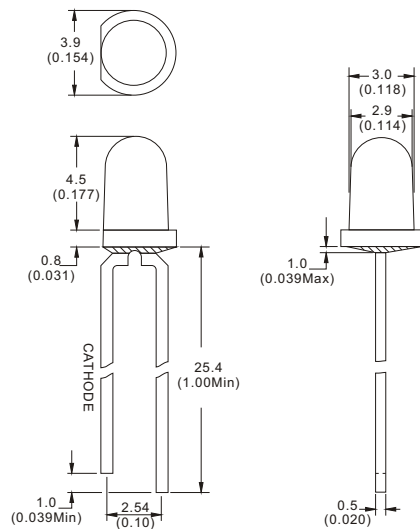


飞扬电子
FLYING ELECTRONICS

Package	Part No. NFL-	Chip		Lens Appearance	Absolute Maximum Ratings				Electro-optical Data(At 20mA)			Viewing Angle 2 θ 1/2 (deg)	Drawing No.	
		Material/Emitted Color	Peak Wave Length λ p (nm)		Δ λ (nm)	Pd (mw)	If (mA)	Peak (mA)	Vf(V)		Iv (mcd)			
									Typ	Max	Typ			
T-1 Standard 1.0" Lead φ 3	3014SRD	GaAlAs/SH Super Red	660	Red diffused	20	60	25	150	1.85	2.20	70	60	L-010	
	3014LRD	GaAlAs/DH Super Red	660	Red diffused	20	60	25	150	1.85	2.20	110	60		
	3014SRT	GaAlAs/SH Super Red	660	Red trans	20	60	25	150	1.85	2.20	220	30		
	3014SRC	GaAlAs/SH Super Red	660	Water clear	20	60	25	150	1.85	2.20	220	30		
	3014LRC	GaAlAs/DH Super Red	660	Water clear	20	60	25	150	1.85	2.20	500	30		
	3014URC	GaAlAs/DDH Super Red	660	Water clear	20	60	25	150	1.85	2.20	900	30		
	3014UEC	AlGaInP/Ultra Orange	630	Water clear	17	65	30	150	2.10	2.50	1800	30		
	3014UYC	AlGaInP/Ultra Yellow	590	Water clear	15	65	30	150	2.10	2.50	2000	30		
	3014UGC	AlGaInP/Ultra Green	574	Water clear	30	75	30	150	2.20	2.50	600	30		
	3014PGC	InGaN/SiC Pure Green	525	Water clear	36	110	30	150	3.50	4.00	2800	30		
	3014BGC	InGaN/SiC Bluish Green	505	Water clear	30	110	30	100	3.50	4.00	2800	30		
	3014UBC	InGaN/SiC Ultra Blue	470	Water clear	30	120	30	100	3.50	4.00	1400	30		
	3014BC	InGaN/SiC Super Blue	470	Water clear	30	120	30	100	3.50	4.00	900	30		
	3014VC	InGaN/SiC UV		405	Water clear		120	30	100	3.50	4.00	180		30
	3014UWC	InGaN/SiC Ultra White			Water clear		120	30	100	3.50	4.00	4000		30
	3014WC	InGaN/SiC Super White			Water clear		120	30	100	3.50	4.00	2000		30

L-010

NFL-3014xx Series

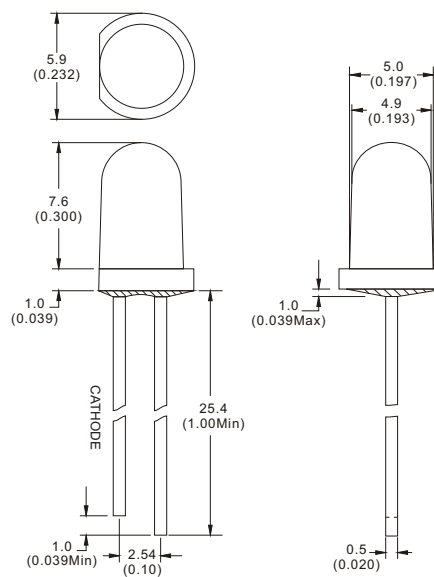




Package	Part No. NFL-	Chip		Lens Appearance	Absolute Maximum Ratings				Electro-optical Data(At 20mA)			Viewing Angle 2 θ 1/2 (deg)	Drawing No.	
		Material/Emitted Color	Peak Wave Length λ p (nm)		Δ λ (nm)	Pd (mw)	If (mA)	Peak (mA)	Vf(V)		Iv (mcd)			
									Typ	Max	Typ			
T-1 3/4 Standard 1.0" Lead φ 5	5013SRD	GaAlAs/SH Super Red	660	Red diffused	20	60	30	150	1.85	2.20	80	60	L-011	
	5013LRD	GaAlAs/DH Super Red	660	Red diffused	20	60	30	150	1.85	2.20	120	60		
	5013SRT	GaAlAs/SH Super Red	660	Red trans	20	60	30	150	1.85	2.20	250	20		
	5013SRC	GaAlAs/SH Super Red	660	Water clear	20	60	30	150	1.85	2.20	250	20		
	5013LRC	GaAlAs/DH Super Red	660	Water clear	20	60	30	150	1.85	2.20	600	20		
	5013URC	GaAlAs/DDH Super Red	660	Water clear	20	60	30	150	1.85	2.20	1000	20		
	5013UEC	AlGaInP/Ultra Orange	630	Water clear	17	65	30	150	2.10	2.50	2000	20		
	5013UYC	AlGaInP/Ultra Yellow	590	Water clear	15	65	30	150	2.10	2.50	2200	20		
	5013UGC	AlGaInP/Ultra Green	574	Water clear	30	75	30	150	2.20	2.50	700	20		
	5013PGC	InGaN/SiC Dure Green	525	Water clear	36	110	30	150	3.50	4.00	3000	20		
	5013BGC	InGaN/SiC Bluish Green	505	Water clear	30	110	30	100	3.50	4.00	3000	20		
	5013UBC	InGaN/SiC Ultra Blue	470	Water clear	30	120	30	100	3.50	4.00	1500	20		
	5013BC	InGaN/SiC Super Blue	470	Water clear	30	120	30	100	3.50	4.00	1000	20		
	5013VC	InGaN/SiC UV		405	Water clear		120	30	100	3.50	4.00	200		20
	5013UWC	InGaN/SiC Ultra White			Water clear		120	30	100	3.50	4.00	6000		20
	5013WC	In GaN/SiC Super White			Water clear		120	30	100	3.50	4.00	2500		20

L-011

NFL-5013xx Series



ULTRA BRIGHT LED LAMPS



飞扬电子
FLYING ELECTRONICS

Package	Part No. NFL-	Chip		Lens Appearance	Absolute Maximum Ratings				Electro-optical Data(At 20mA)			Viewing Angle 2 θ 1/2 (deg)	Drawing No.
		Material/Emitted Color	Peak Wave Length λ p (nm)		Δλ (nm)	Pd (mw)	If (mA)	Peak (mA)	Vf(V)		Iv (mcd)		
									Typ	Max	Typ		
4.1*5.0* 7.0mm 1.0" Lead Oval	5063LRC	GaAlAs/DH Super Red	660	Water clear	20	60	25	150	1.85	2.20	400	X-X 45 Y-Y 25	L-012
	5063URC	GaAlAs/DDH Super Red	660	Water clear	20	60	25	150	1.85	2.20	600		
	5063UEC	AlGaInP/Ultra Orange	630	Water clear	17	65	30	150	2.10	2.50	750		
	5063UYC	AlGaInP/Ultra Yellow	590	Water clear	15	65	30	150	2.10	2.50	800		
	5063UGC	AlGaInP/Ultra Green	574	Water clear	30	75	30	150	2.20	2.50	500		
5.8*4.6* 7.0mm 1.0" Lead Oval	5083LRC	GaAlAs/DH Super Red	660	Water clear	20	60	25	150	1.85	2.20	350	X-X 30 Y-Y 75	L-013
	5083URC	GaAlAs/DDH Super Red	660	Water clear	20	60	25	150	1.85	2.20	550		
	5083UEC	AlGaInP/Ultra Orange	630	Water clear	17	65	30	150	2.10	2.50	700		
	5083UYC	AlGaInP/Ultra Yellow	590	Water clear	15	65	30	150	2.10	2.50	750		
	5083UGC	AlGaInP/Ultra Green	574	Water clear	30	75	30	150	2.20	2.50	450		

