

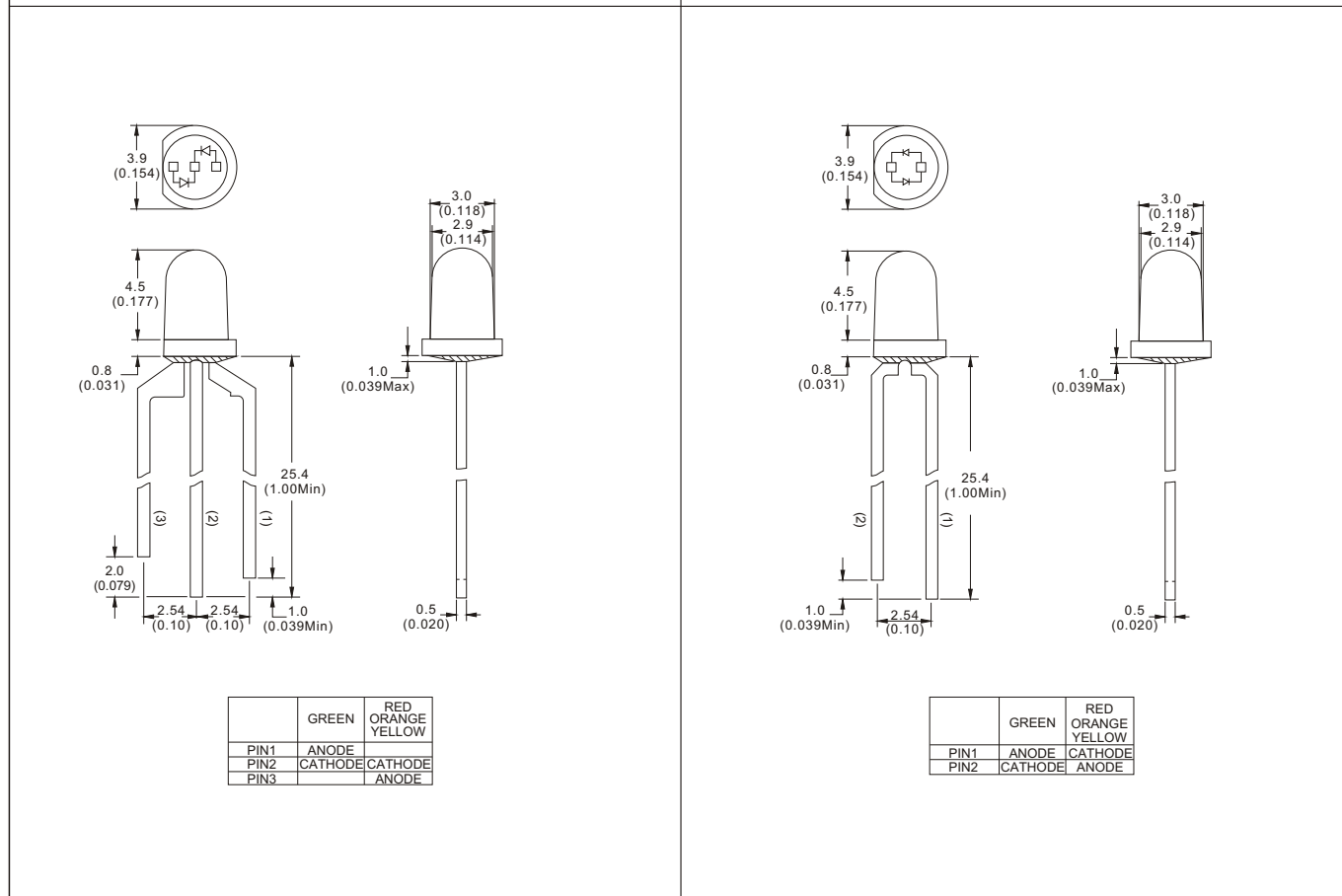
BI COLOR LED LAMPS



飞扬电子
FLYING ELECTRONICS

Package	Part No. NFL-	Chip		Lens Appearance	Absolute Maximum Ratings				Electro-optical Data(At 20mA)			Viewing Angle 2 θ 1/2 (deg)	Drawing No.
		Material/Emitted Color	Peak Wave Length λ p (nm)		Δ λ (nm)	Pd (mw)	If (mA)	Peak (mA)	Vf(V)		Iv (mcd)		
									Typ	Max	Typ		
T-1 Standard 1.0" Lead φ 3	3015EGW	GaAsP/GaP Orange	635	Water diffused	35	80	30	150	2.10	2.50	15	60	L-014
		GaP/GaP Green	568	Water diffused	30	80	30	150	2.20	2.50	10		
	3015YGW	GaAsP/GaP Yellow	585	Water diffused	35	80	30	150	2.10	2.50	10		
		GaP/GaP Green	568	Water diffused	30	80	30	150	2.20	2.50	10		
	3015UE UGW	AlGaInP/Ultra Orange	630	Water diffused	17	65	30	150	2.10	2.50	180		
		AlGaInP/Ultra Green	574	Water diffused	30	75	30	150	2.20	2.50	120		
T-1 Standard 1.0" Lead φ 3	3017EGW	GaAsP/GaP Orange	635	Water diffused	35	80	30	150	2.10	2.50	15	60	L-015
		GaP/GaP Green	568	Water diffused	30	80	30	150	2.20	2.50	10		
	3017YGW	GaAsP/GaP Yellow	585	Water diffused	35	80	30	150	2.10	2.50	10		
		GaP/GaP Green	568	Water diffused	30	80	30	150	2.20	2.50	10		
	3017UE UGW	AlGaInP/Ultra Orange	630	Water diffused	17	65	30	150	2.10	2.50	180		
		AlGaInP/Ultra Green	574	Water diffused	30	75	30	150	2.20	2.50	120		

L-014 NFL-3015xx Series	L-015 NFL-3017xx Series
------------------------------	------------------------------



BI-COLOR LED LAMPS



飞扬电子
FLYING ELECTRONICS

Package	Part No. NFL-	Chip		Lens Appearance	Absolute Maximum Ratings				Electro-optical Data(At 20mA)			Viewing Angle 2 θ 1/2 (deg)	Drawing No.
		Material/Emitted Color	Peak Wave Length λ p (nm)		Δ λ (nm)	Pd (mw)	If (mA)	Peak (mA)	Vf(V)		Iv (mcd)		
									Typ	Max	Typ		
T-1 3/4 Standard 1.0" Lead φ 5	5019EGW	GaAsP/GaP Orange	635	Water diffused	35	80	30	150	2.10	2.50	20	60	L-016
		GaP/GaP Green	568	Water diffused	30	80	30	150	2.20	2.50	15		
	5019YGW	GaAsP/GaP Yellow	585	Water diffused	35	80	30	150	2.10	2.50	15		
		GaP/GaP Green	568	Water diffused	30	80	30	150	2.20	2.50	15		
	5019UE UGW	AlGaInP/Ultra Orange	630	Water diffused	17	65	30	150	2.10	2.50	190		
		AlGaInP/Ultra Green	574	Water diffused	30	75	30	150	2.20	2.50	130		
T-1 3/4 Standard 1.0" Lead φ 5	5017EGW	GaAsP/GaP Orange	635	Water diffused	35	80	30	150	2.10	2.50	20	60	L-017
		GaP/GaP Green	568	Water diffused	30	80	30	150	2.20	2.50	15		
	5017YGW	GaAsP/GaP Yellow	585	Water diffused	35	80	30	150	2.10	2.50	15		
		GaP/GaP Green	568	Water diffused	30	80	30	150	2.20	2.50	15		
	5017UE UGW	AlGaInP/Ultra Orange	630	Water diffused	17	65	30	150	2.10	2.50	190		
		AlGaInP/Ultra Green	574	Water diffused	30	75	30	150	2.20	2.50	130		

L-016 NFL-5019xx Series	L-017 NFL-5017xx Series																					
<table border="1"> <tr> <td></td> <td>GREEN</td> <td>RED ORANGE YELLOW</td> </tr> <tr> <td>PIN1</td> <td>ANODE</td> <td>CATHODE</td> </tr> <tr> <td>PIN2</td> <td>CATHODE</td> <td>ANODE</td> </tr> <tr> <td>PIN3</td> <td></td> <td></td> </tr> </table>		GREEN	RED ORANGE YELLOW	PIN1	ANODE	CATHODE	PIN2	CATHODE	ANODE	PIN3			<table border="1"> <tr> <td></td> <td>GREEN</td> <td>RED ORANGE YELLOW</td> </tr> <tr> <td>PIN1</td> <td>ANODE</td> <td>CATHODE</td> </tr> <tr> <td>PIN2</td> <td>CATHODE</td> <td>ANODE</td> </tr> </table>		GREEN	RED ORANGE YELLOW	PIN1	ANODE	CATHODE	PIN2	CATHODE	ANODE
	GREEN	RED ORANGE YELLOW																				
PIN1	ANODE	CATHODE																				
PIN2	CATHODE	ANODE																				
PIN3																						
	GREEN	RED ORANGE YELLOW																				
PIN1	ANODE	CATHODE																				
PIN2	CATHODE	ANODE																				