



### 30.0mm X 34.0mm Special Design Arrow Led Displays

#### Features:

- \*High segment intensity
- \*Wide viewing angle
- \*Range of colours
- \*Black face White segment
- \*Rohs compliant

#### Available option:

- \*Alternative face and segment colour
- \*Cropped terminal pins
- \*Available emitting colour
- \*Low current version

#### Electro/Optical Characteristics If=20mA Ta=25°C

Part Number	Emitting Colors	Peak Wavelength	Forward Voltage Vf		Luminous Intensity Iv/seg.	
			Typical	Max.	Min.	Typical
NFA-T053034ZH-11	GaP/GaP Red	700	6.75	7.50	1.20	2.40
NFA-T053034ZS-11	GaAlAs/GaAs SH Hi-Red	660	5.40	6.60	24.00	36.00
NFA-T053034ZD-11	GaAlAs/GaAs DH Super Red	660	5.40	6.60	66.00	84.00
NFA-T053034ZE-11	GaAsP/GaP Orange	632	6.30	7.50	24.00	36.00
NFA-T053034ZY-11	GaAsP/GaP Yellow	585	6.30	7.50	12.00	21.00
NFA-T053034ZG-11	GaP/GaP Green	570	6.60	7.50	21.00	33.00
Units		nm	V		mcd	

#### Maximum Ratings Ta=25°C (Derate above 25°C)

Characteristic	Condition	Symbol	Red	Hi-Red	Super Red	Orange	Yellow	Green	Units
Pulse Forward Current Per Seg.	1/10 duty cycle 0.1ms Pulse width	I <sub>FP</sub>	50	100	100	100	100	100	mA
DC Forward Current Per Seg.		I <sub>F</sub>	15	25	25	30	30	30	mA
Reverse Current Per Seg.	V <sub>r</sub> =5V	I <sub>R</sub>	10	10	10	10	10	10	μA
Power Dissipature		P <sub>D</sub>	40*15	60*15	60*15	80*15	80*15	80*15	mW
Operating Temperature		T <sub>OPR</sub>	-40 to +80						°C
Storage Temperature		T <sub>TSG</sub>	-40 to +85						°C
Lead soldering temperature	1.60mm from body maximum 3 seconds		260						°C

Checked

Chen N.H.

Approved

Jason Chen

Date

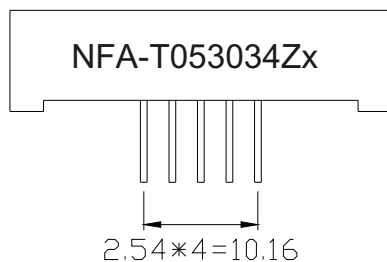
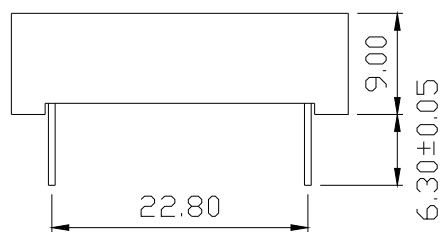
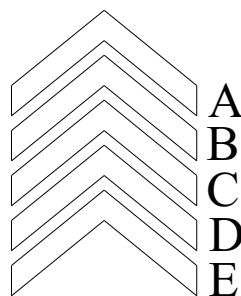
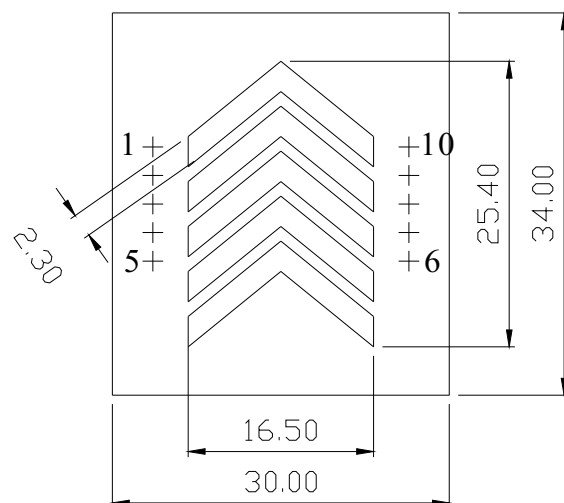
2006/09/05

PAGE 1 / 2



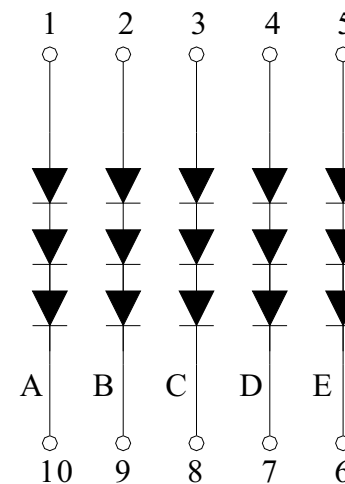
30.0mm X 34.0mm Special Design Arrow Led Displays

PACKAGE DIMENSION



INTERNAL CIRCUIT DIAGRAM

NFA-T053034Zx



Tolerance  $\pm 0.25\text{mm}$  unless stated

Checked

Chen N.H.

Approved

Jason Chen

Date

2006/09/05

PAGE 2 / 2