



1.00"(25.40mm)Single Digit 7 Segment Display

Features:

- *High segment intensity
- *Wide viewing angle
- *Range of colours
- *Gray face White segment
- *Rohs compliant

Available option:

- *Alternative face and segment colour
- *Alternative font
- *Cropped terminal pins
- *Available emitting colour
- *Low current version

Electro/Optical Characteristics If=20mA Ta=25°C

Part Number Common Cathode	Part Number Common Anode	Emitting Colors	Peak Wavelength	Forward Voltage VF/Seg.		Luminous Intensity Iv/seg.	
				Typ.	Max.	Min.	Typ.
NFD-10012AH-21	NFD-10012BH-21	GaP/GaP Red	700	4.50	5.00	0.80	1.60
NFD-10012AS-21	NFD-10012BS-21	GaAlAs/GaAs SH Hi-Red	660	3.60	4.40	16.00	24.00
NFD-10012AD-21	NFD-10012BD-21	GaAlAs/GaAs DH Super Red	660	3.60	4.40	44.00	56.00
NFD-10012AE-21	NFD-10012BE-21	GaAsP/GaP Orange	632	4.20	5.00	16.00	24.00
NFD-10012AY-21	NFD-10012BY-21	GaAsP/GaP Yellow	585	4.20	5.00	8.00	14.00
NFD-10012AG-21	NFD-10012BG-21	GaP/GaP Green	568	4.40	5.00	14.00	22.00
Units			nm	V		mcd	

Maximum Ratings Ta=25°C (Derate above 25°C)

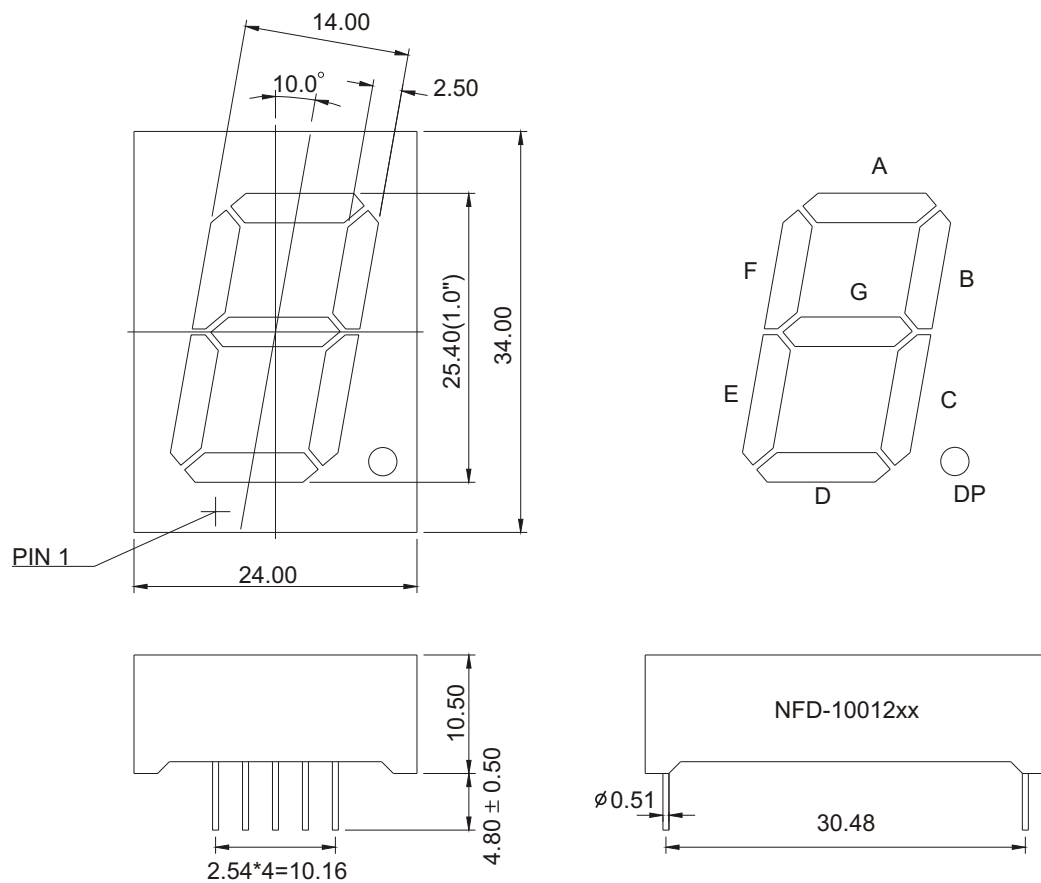
Characteristic	Test Condition	Symbol	H	S	D	E	Y	G	Units
Pulse Forward Current Per Seg.	1/10 duty cycle 0.1ms Pulse width	I _{FP}	50	100	100	100	100	100	mA
DC Forward Current Per Seg.		I _F	15	25	25	30	30	30	mA
Reverse Current Per Seg.	V _r =10V	I _R	10	10	10	10	10	10	μA
Power Dissipature		P _D	40*15	60*15	60*15	80*15	80*15	80*15	mW
Operating Temperature		T _{OPR}	-40 to +80						°C
Storage Temperature		T _{TSG}	-40 to +85						°C
Lead soldering temperature	1.60mm from body maximum 3 seconds		260						°C

Checked	Chen N.H.	Approved	Jason Chen	Date	2006/10/17	PAGE 1 / 2			
---------	-----------	----------	------------	------	------------	------------	--	--	--



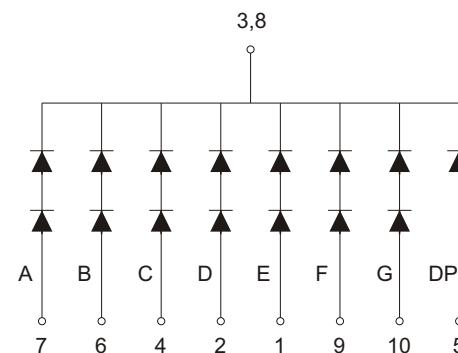
1.00"(25.40mm)Single Digit 7 Segment Display

PACKAGE DIMENSION

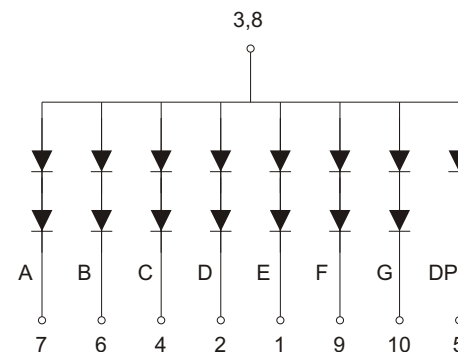


INTERNAL CIRCUIT DIAGRAM

Common Cathode NFD-10012Ax



Common Anode NFD-10012Bx



Tolerance $\pm 0.25\text{mm}$ unless stated