



1.00"(25.40mm)Single Digit Bi-Color 7 Segment Display

Features:

- *High segment intensity
- *Wide viewing angle
- *Range of colours
- *Gray face White segment
- *Rohs compliant

Available option:

- *Alternative face and segment colour
- *Alternative font
- *Cropped terminal pins
- *Available emitting colour
- *Low current version

Electro/Optical Characteristics If=20mA Ta=25°C

Part Number Common Cathode	Part Number Common Anode	Emitting Colors	Peak Wavelength	Forward Voltage VF/Seg.		Luminous Intensity Iv/seg.	
				Typ.	Max.	Min.	Typ.
NFD-10012ASG-21	NFD-10012BSG-21	GaAlAs/GaAs SH Hi-Red	660	3.60	4.40	16.00	24.00
		GaP/GaP Green	568	4.40	5.00	14.00	22.00
NFD-10012AEG-21	NFD-10012BEG-21	GaAsP/GaP Orange	632	4.20	5.00	16.00	24.00
		GaP/GaP Green	568	4.40	5.00	14.00	22.00
Units			nm	V		mcd	

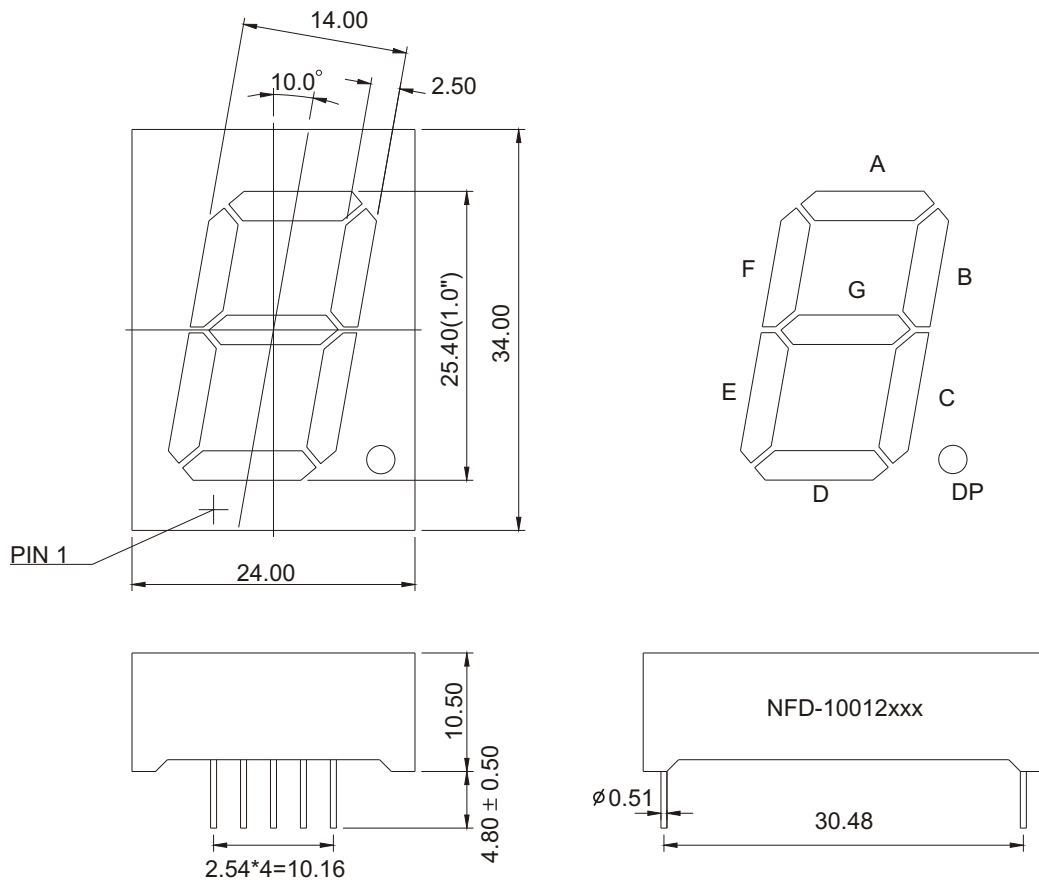
Maximum Ratings Ta=25°C (Derate above 25°C)

Characteristic	Test Condition	Symbol	S	G	E			Units	
Pulse Forward Current Per Seg.	1/10 duty cycle 0.1ms Pulse width	I _{FP}	100	100	100			mA	
DC Forward Current Per Seg.		I _F	25	30	30			mA	
Reverse Current Per Seg.	V _r =10V	I _R	10	10	10			μA	
Power Dissipature		P _D	60*15	80*15	80*15			mW	
Operating Temperature		T _{OPR}	-40 to +80						°C
Storage Temperature		T _{TSG}	-40 to +85						°C
Lead soldering temperature	1.60mm from body maximum 3 seconds		260						°C



1.00"(25.40mm)Single Digit Bi-Color 7 Segment Display

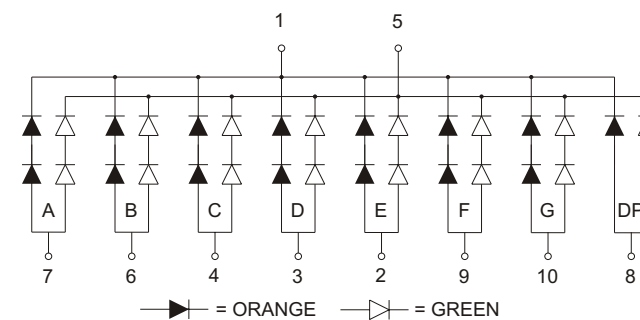
PACKAGE DIMENSION



Tolerance $\pm 0.25\text{mm}$ unless stated

INTERNAL CIRCUIT DIAGRAM

Common Cathode
NFD-10012AEG



Common Anode
NFD-10012BEG

