



## 4.00"(101.60mm)Single Digit 7 Segment Display

### Features:

- \*High segment intensity
- \*Wide viewing angle
- \*Range of colours
- \*Black face Red segment
- \*Rohs compliant

### Available option:

- \*Available emitting colour
- \*Available Segment colour
- \*Low current version

### Electro/Optical Characteristics If=20mA Ta=25°C

Part Number Common Cathode	Part Number Common Anode	Emitting Colors	Peak Wavelength	Forward Voltage Vf		Luminous Intensity Iv/seg.	
				Typical	Max.	Min.	Typical
NFD-40011CS-12	NFD-40011DS-12	GaAlAs/GaAs SH Hi-Red	660	7.20	8.80	64.00	96.00
NFD-40011CD-12	NFD-40011DD-12	GaAlAs/GaAs DH Super Red	660	7.20	8.80	176.00	224.00
NFD-40011CE-12	NFD-40011DE-12	GaAsP/GaP Orange	632	8.40	10.00	64.00	96.00
Units			nm	V		mcd	

### Maximum Ratings Ta=25°C (Derate above 25°C)

Characteristic	Condition	Symbol	Hi-Red	Super Red	Orange		Units	
Pulse Forward Current Per Seg.	1/10 duty cycle 0.1ms Pulse width	I <sub>FP</sub>	100*2	100*2	100*2		mA	
DC Forward Current Per Seg.		I <sub>F</sub>	25*2	25*2	30*2		mA	
Reverse Current Per Seg.	V <sub>r</sub> =10V	I <sub>R</sub>	10	10	10		μA	
Power Dissipature		P <sub>D</sub>	60*58	60*58	80*58		mW	
Operating Temperature		T <sub>OPR</sub>	-40 to +80					°C
Storage Temperature		T <sub>TSG</sub>	-40 to +85					°C
Lead soldering temperature	1.60mm from body maximum 3 seconds		260					°C

Checked

Chen N.H.

Approved

Jason Chen

Date

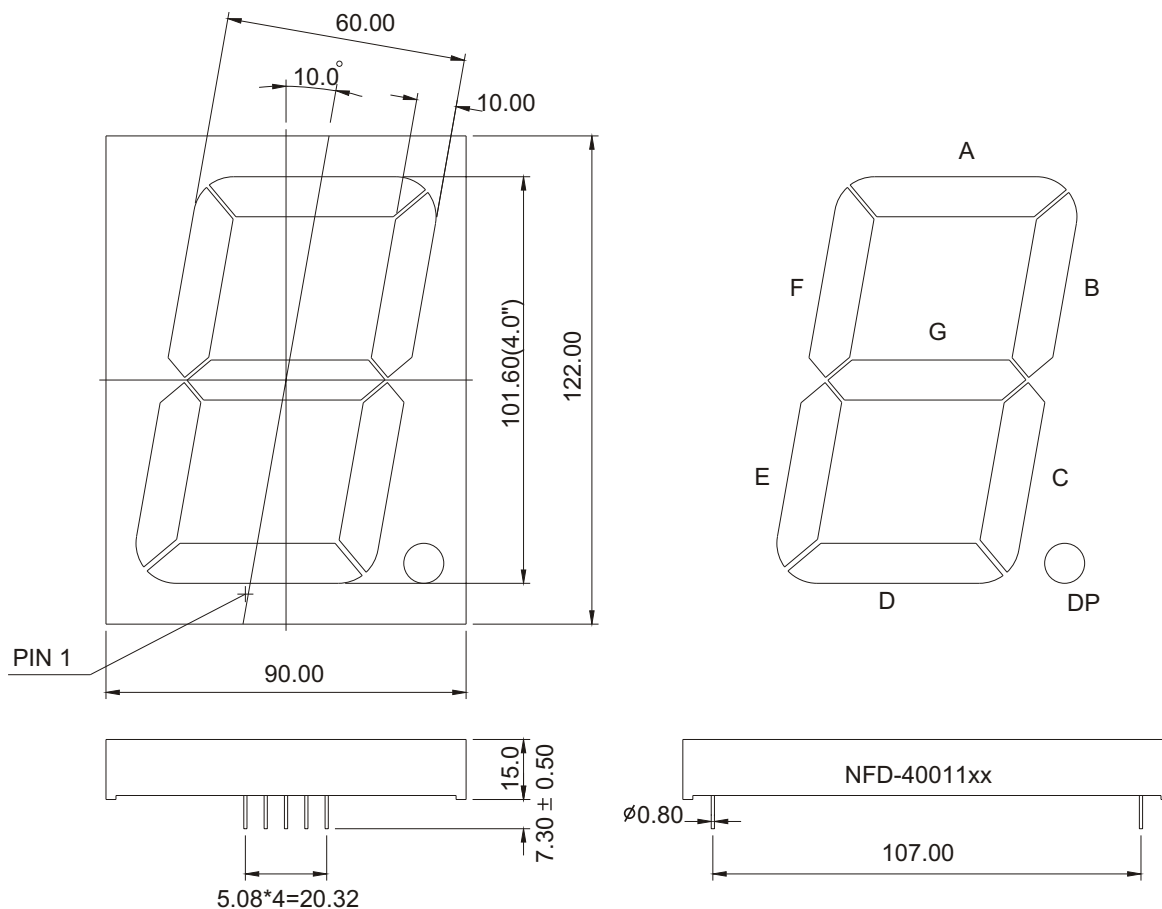
2006/09/19

PAGE 1 / 2



### 4.00"(101.60mm)Single Digit 7 Segment Display

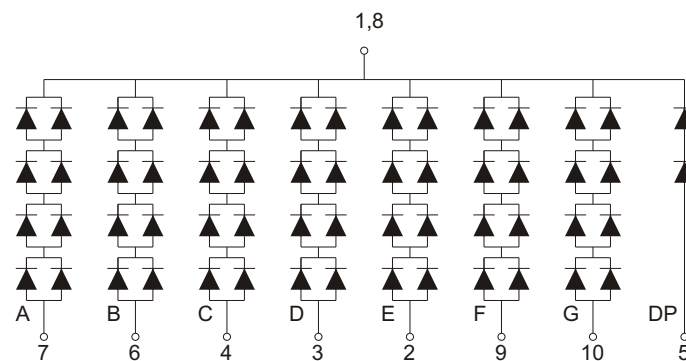
#### PACKAGE DIMENSION



Tolerance ±0.25mm unless stated

#### INTERNAL CIRCUIT DIAGRAM

Common Cathode  
NFD-40011Cx



Common Anode  
NFD-40011Dx

