



4.00"(101.60mm)Single Digit 7 Segment Display

Features:

- *Ultra segment intensity
- *Wide viewing angle
- *Range of colors
- *Black face White segment
- *RoHS compliant

Available option:

- * Available emitting color
- * Available surface color
- * Available segment color
- * Low current version

Electro/Optical Characteristics If=20mA Ta=25°C

Part Number Common Cathode	Part Number Common Anode	Emitting Color	Peak Wavelength	Forward Voltage V _F /Seg.(DP)		Luminous Intensity I _v /Seg.(DP)	
				Typ.	Max.	Min.	Typ.
NFD-40011AUE-11	NFD-40011BUE-11	AlGaInP Ultra Orange	632	10.00(2.00)	12.50(2.50)	200.00(40.00)	300.00(60.00)
NFD-40011AUY-11	NFD-40011BUY-11	AlGaInP Ultra Yellow	590	10.00(2.00)	12.50(2.50)	200.00(40.00)	300.00(60.00)
NFD-40011AUG-11	NFD-40011BUG-11	AlGaInP Ultra Green	572	10.50(2.10)	12.50(2.50)	125.00(25.00)	200.00(40.00)
Units			nm	V		mcd	

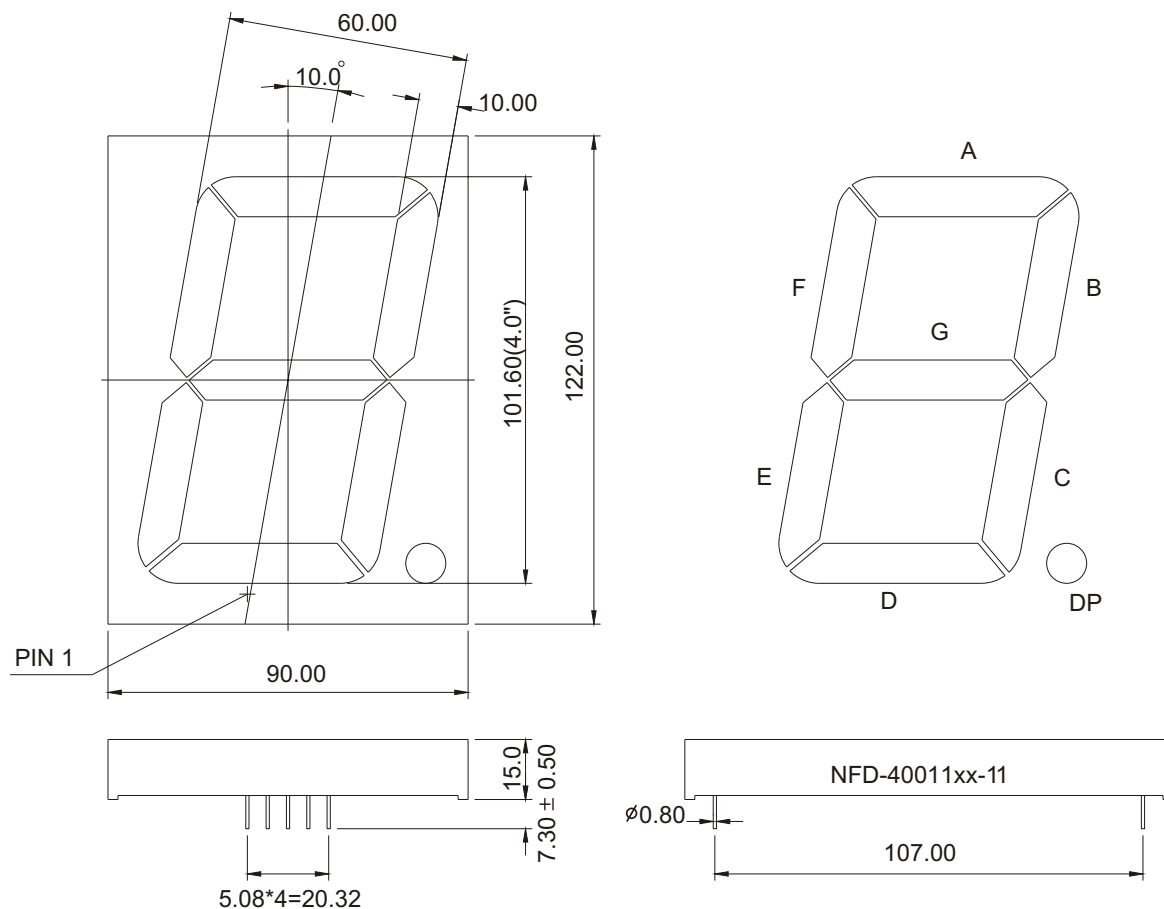
Maximum Ratings Ta=25°C (Derate above 25°C)

Characteristic	TestCondition	Symbol	UE	UY	UG				Units
Pulse Forward Current Per Seg.	1/10 duty cycle 0.1ms Pulse width	I _{FP}	100	100	100				mA
DC Forward Current Per Seg.		I _F	30	30	30				mA
Reverse Current Per Seg.	V _R =10V	I _R	10	10	10				μA
Power Dissipation		P _D	65*36	65*36	80*36				mW
Operating Temperature		T _{OPR}	-40 to +80						°C
Storage Temperature		T _{TSG}	-40 to +85						°C
Lead soldering temperature	1.60mm from body maximum 3 seconds		260						°C



4.00"(101.60mm)Single Digit 7 Segment Display

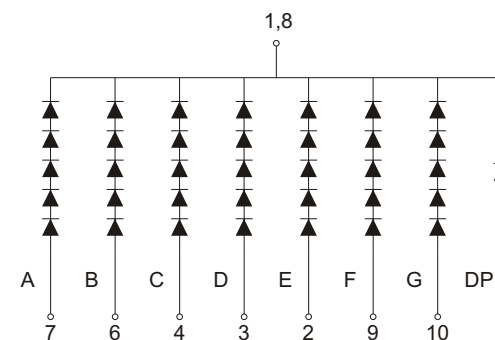
PACKAGE DIMENSION



Tolerance $\pm 0.25\text{mm}$ unless stated

INTERNAL CIRCUIT DIAGRAM

Common Cathode NFD-40011Ax



Common Anode NFD-40011Bx

